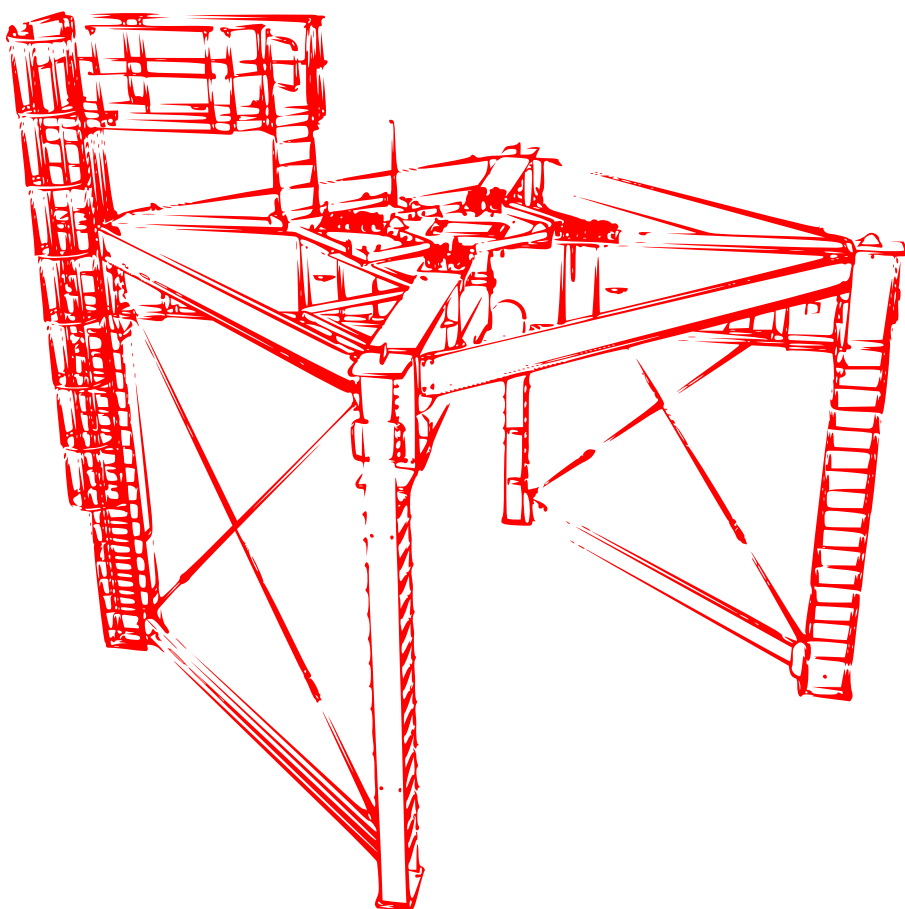


WOLFFKRAN

System component

WOLFF City portal

Technical informations



English

English

WOLFF City portal



Published by

WOLFFKRAN GmbH

Austraße 72

74076 Heilbronn

Germany

Phone +49 7131 9815 0

Fax +49 7131 9815 355

www.wolffkran.com

info@wolffkran.de

Copyright

This documentation including all of its subsections is protected by copyright laws.

Any type of use or modification outside of the stringent limits of the copyright laws without permission of WOLFFKRAN GmbH is prohibited and subject to penalties.

This applies particularly for copying, translation, microfilming and storage and processing in electronic systems.

At the time of printing, the information, data, illustrations and notes comprised in this manual were up-to-date.

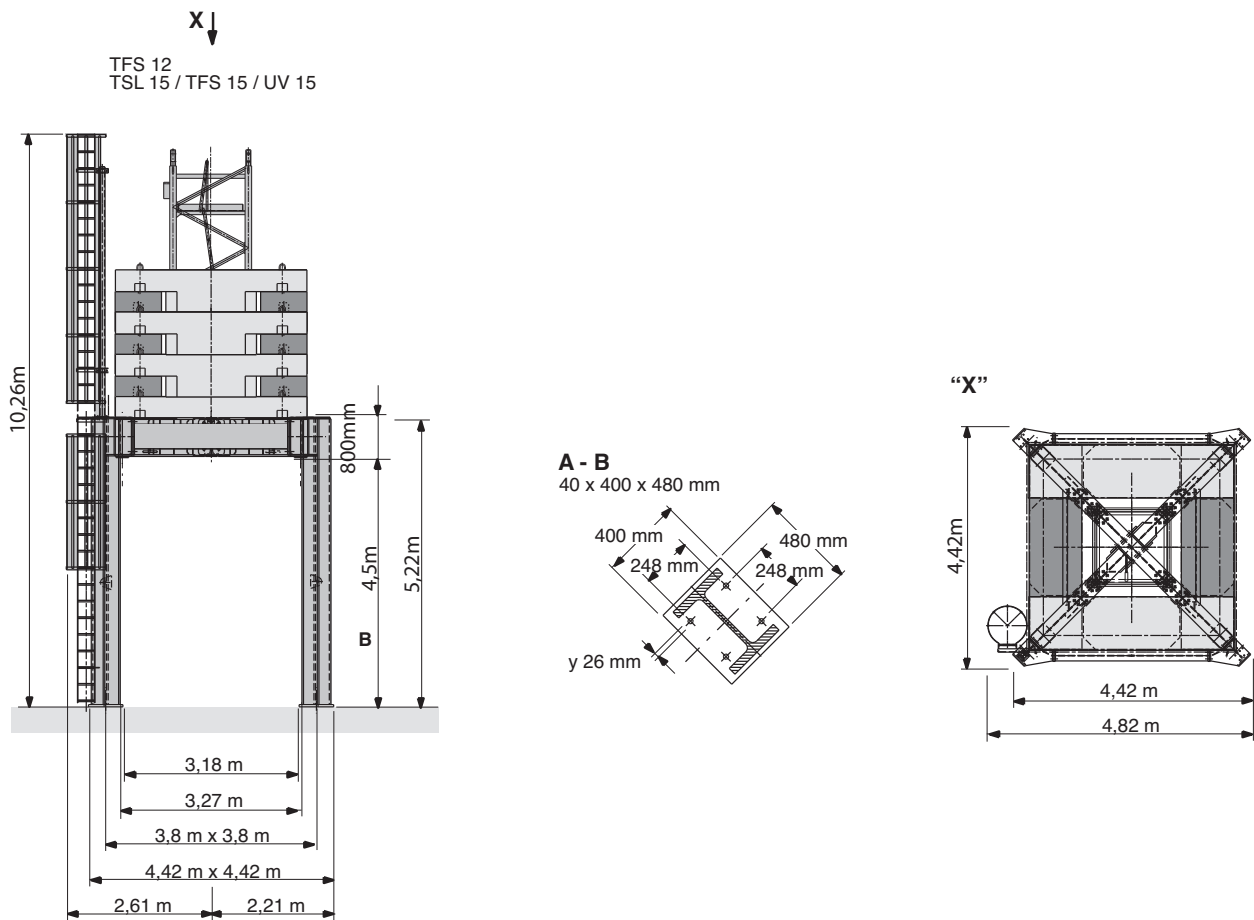
Subject to change of design, error and typos.

Stand: 06/2013

Table of contents

1	Technical data CP 380	5
2	Transport dimensions CP 380	6
3	Technical data CP 520	8
4	Transport dimensions CP 520	9
5	Technical data CP 690	10
6	Transport dimensions CP 690	11

1 Technical data CP 380



Clearance between "A" corners	3.8 m
Clearance between "B" corners	3.8 m
City portal with cross frame KR7-32 without tower element	10700 kg

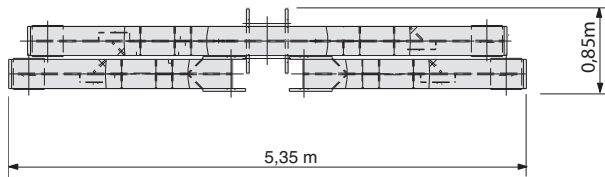
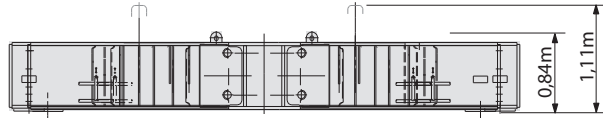
The city portal represents an independent module for applications within the WOLFF slewing tower crane system.

For information pertaining to application options, refer to the manual of the corresponding WOLFF slewing tower crane (tower combination, central ballast block / corner load tables).

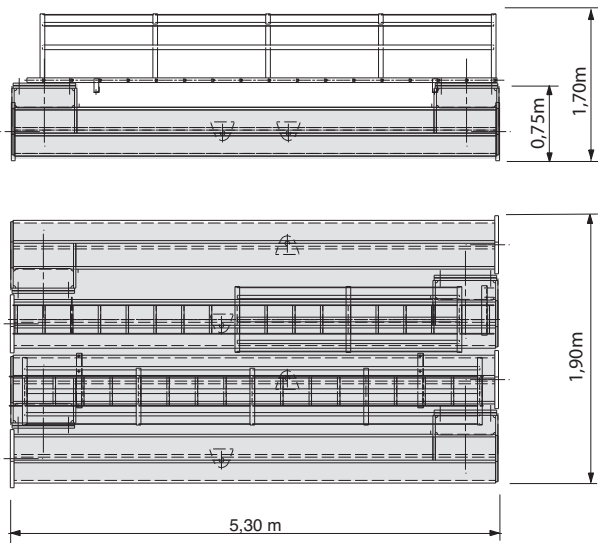
2 Transport dimensions CP 380

2 Transport dimensions CP 380

The City Portal can be transported as shown in the example below.



Cross frame

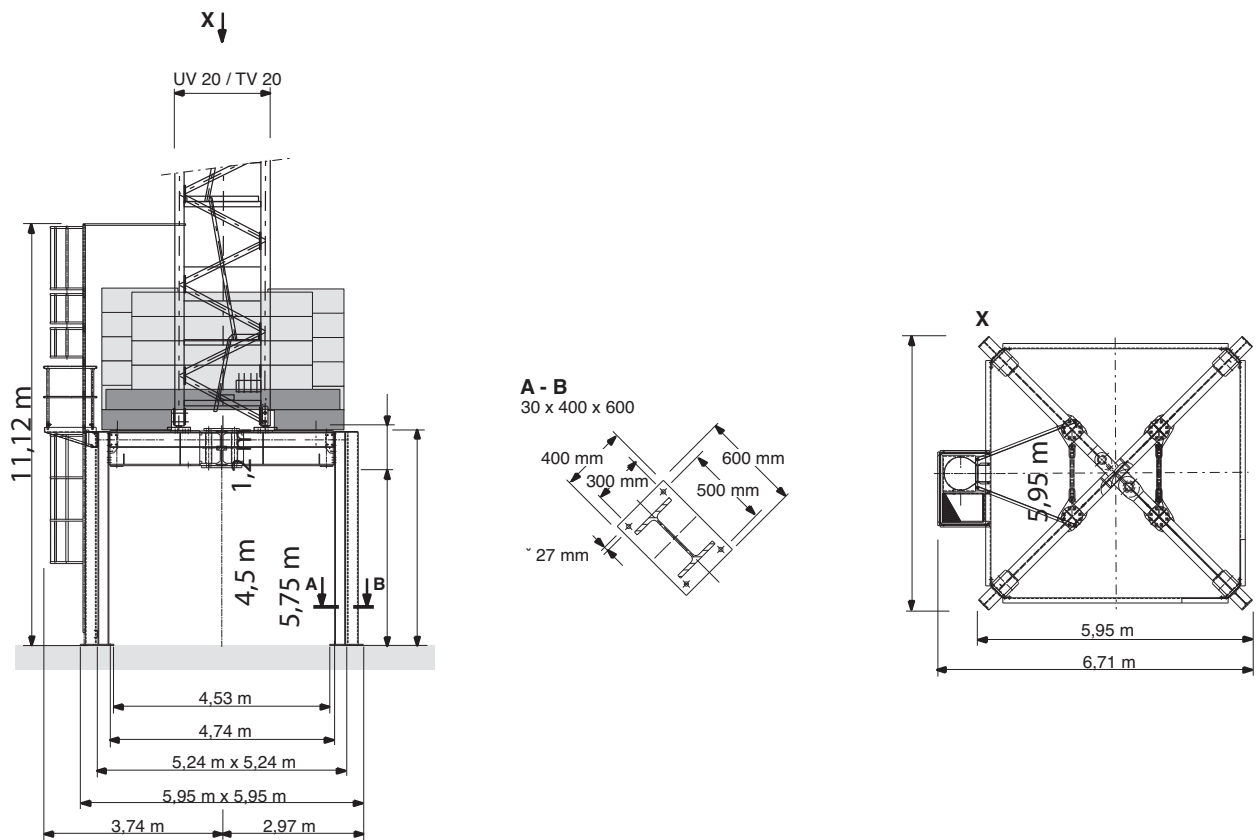


City Portal undercarriage

Component	Dimensions (LxWxH)	Weight
Cross frame (without bolted spigots)	5.35 m x 0.85 m x 0.84 m	3500 kg
City Portal undercarriage	5.30 m x 1.90 m x 1.70 m	6950 kg
Crate with small parts	0.7 m x 0.3 m x 0.4 m	160 kg
Crate with small parts	0.7 m x 0.3 m x 0.4 m	90 kg
Option		
4 bolted spigots AZ 85 E 20.5	0.3 m x 0.3 m x 0.36 m	58 kg
4 bolted spigots AZ 93.4	0.3 m x 0.3 m x 0.36 m	65.5 kg
4 bolted spigots AZ 120M	0.3 m x 0.3 m x 0.39 m	78.5 kg
Option		
Central ballast block (ZBA 5)	3.7 m x 0.95 m x 0.85 m	5000 kg

3 Technical data CP 520

3 Technical data CP 520



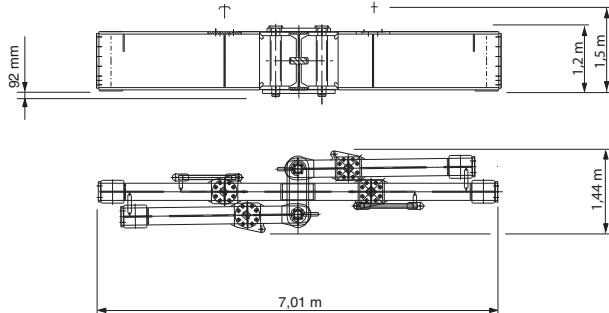
Clearance between "A" corners	5.24 m
Clearance between "B" corners	5.24 m
City portal with cross frame KR10-46 without tower element	13660 kg

The city portal represents an independent module for applications within the WOLFF slewing tower crane system.

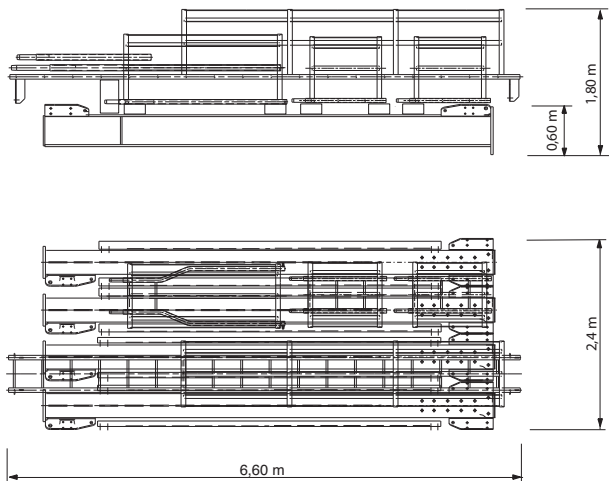
For information pertaining to application options, refer to the manual of the corresponding WOLFF slewing tower crane (tower combination, central ballast block / corner load tables).

4 Transport dimensions CP 520

The City Portal can be transported as shown in the example below.



Cross frame

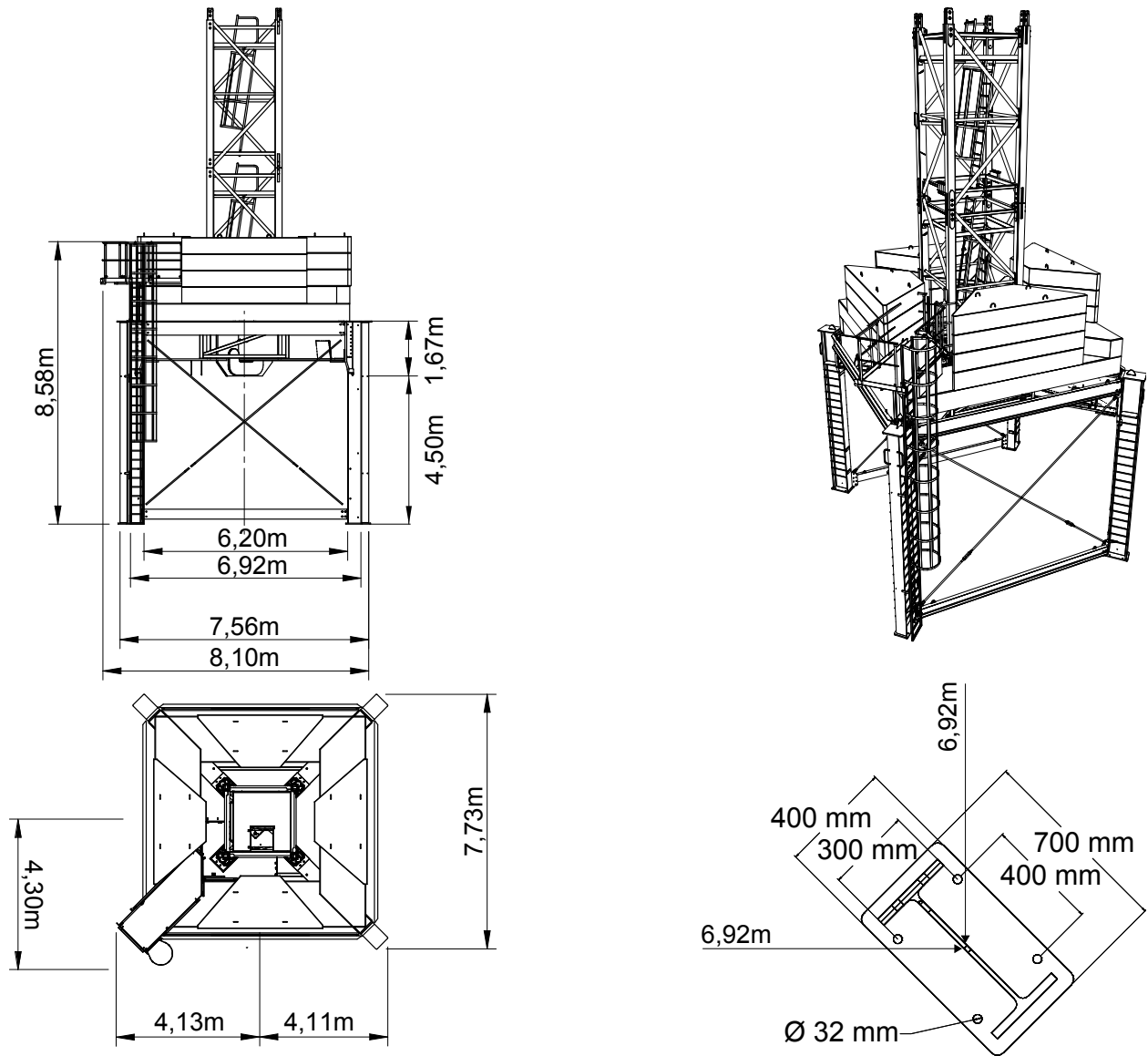


City Portal undercarriage

Component	Dimensions (LxWxH)	Weight
Cross frame (without bolted spigots)	7.01 m x 1.44 m x 1.3 m	7036 kg
City Portal undercarriage	6.60 m x 2.40 m x 1.80 m	6335 kg
Crate with small parts	0.7 m x 0.3 m x 0.4 m	100 kg
Crate with small parts	0.7 m x 0.3 m x 0.4 m	325 kg
Option		
4 AZR120E 15.5	1.0 m x 0.5 m x 0.7 m	560 kg
4 AZ 140M	1.0 m x 0.5 m x 0.7 m	684 kg
Option		
Central ballast block (ZBKN 5)	5.0 m x 0.49 m x 1.40 m	5500 kg

5 Technical data CP 690

5 Technical data CP 690



Technical data CP690

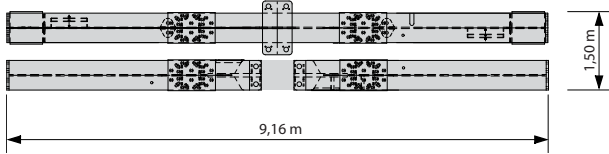
Corner distance	6.92 m
Cross frame	15290 kg
City portal with cross frame KR12-60 without tower element	25850 kg

The city portal represents an independent module for applications within the WOLFF slewing tower crane system.

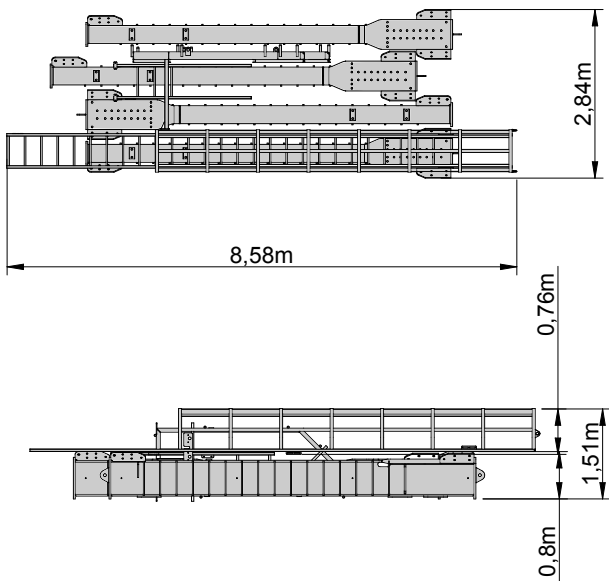
Please contact WOLFFKRAN for information pertaining to application options (tower combination, central ballast / corner load tables).

6 Transport dimensions CP 690

The City Portal can be transported as shown in the example below.



Cross frame



City Portal undercarriage

Component	Dimensions (LxWxH)	Weight
Cross frame (without bolted spigots)	9.16 m x 1.50 m x 2.40 m	14200 kg
City Portal undercarriage	8.58 m x 2.84 m x 1.51 m	10535 kg
Crate with small parts	0.7 m x 0.3 m x 0.4 m	325 kg

WOLFFKRAN Group

Headquarter international:

WOLFFKRAN AG

Baarermattstraße 6

CH-6300 Zug

Switzerland

Phone +41 41 766 85 00

Fax +41 41 766 85 99

info@wolffkran.com

Manufacturing:

WOLFFKRAN GmbH

Austraße 72

D-74076 Heilbronn

Germany

Phone + 49 7131 9815 0

Fax + 49 7131 9815 355

info@wolffkran.de

WOLFFKRAN Werk Brandenburg GmbH

Frederik-Ipsen-Straße 5

D-15926 Luckau OT Altno

Germany

Phone + 49 35456 674 0

Fax + 49 35456 674 200

info@wolffkran.de