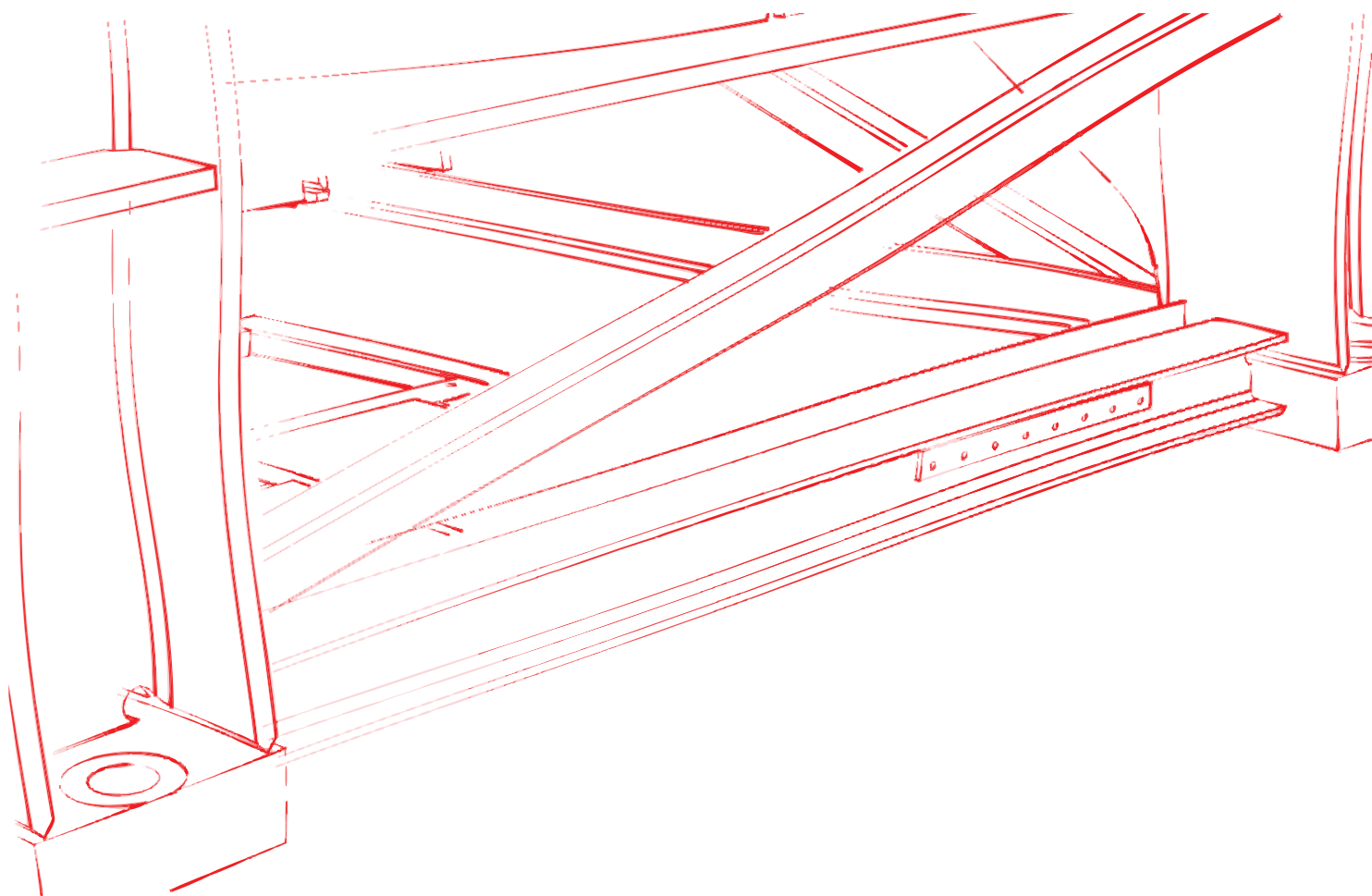


Technical Information

System Component

WOLFF Foundation Anchor



Original operating manual

German

English



Published by

WOLFFKRAN GmbH

Austraße 72

74076 Heilbronn

Germany

Phone +49 7131 9815 0

Fax +49 7131 9815 355

www.wolffkran.com

info@wolffkran.de

Copyright

This documentation including all of its subsections is protected by copyright laws.

Any type of use or modification outside of the stringent limits of the copyright laws without permission of WOLFFKRAN GmbH is prohibited and subject to penalties.

This applies particularly for copying, translation, microfilming and storage and processing in electronic systems.

At the time of printing, the information, data, illustrations and notes comprised in this manual were up-to-date.

Subject to change of design, error and typos.

Table of contents

1 Foundation anchors	1 / 1
1.1 FUA A	1 / 1
1.2 FUA B.4	1 / 2
1.3 FUA C	1 / 3
1.4 FUA D	1 / 4
1.5 FUA F	1 / 5
1.6 FUA F/S	1 / 6
1.7 FUA G 33-1500	1 / 7
1.8 FUA G 33-2000	1 / 8
1.9 FUA 85	1 / 9
1.10 FUA 93	1 / 10
1.11 FUA 120	1 / 11
1.12 FUA 140	1 / 12
1.13 FUA 156	1 / 13
1.14 FUA 156 S	1 / 14
1.15 FUA G 160	1 / 15
1.16 FUA G 210	1 / 16
1.17 FUA UV 29	1 / 17
1.18 FUA BT 29	1 / 18

This page was intentionally left blank!

1 Foundation anchors

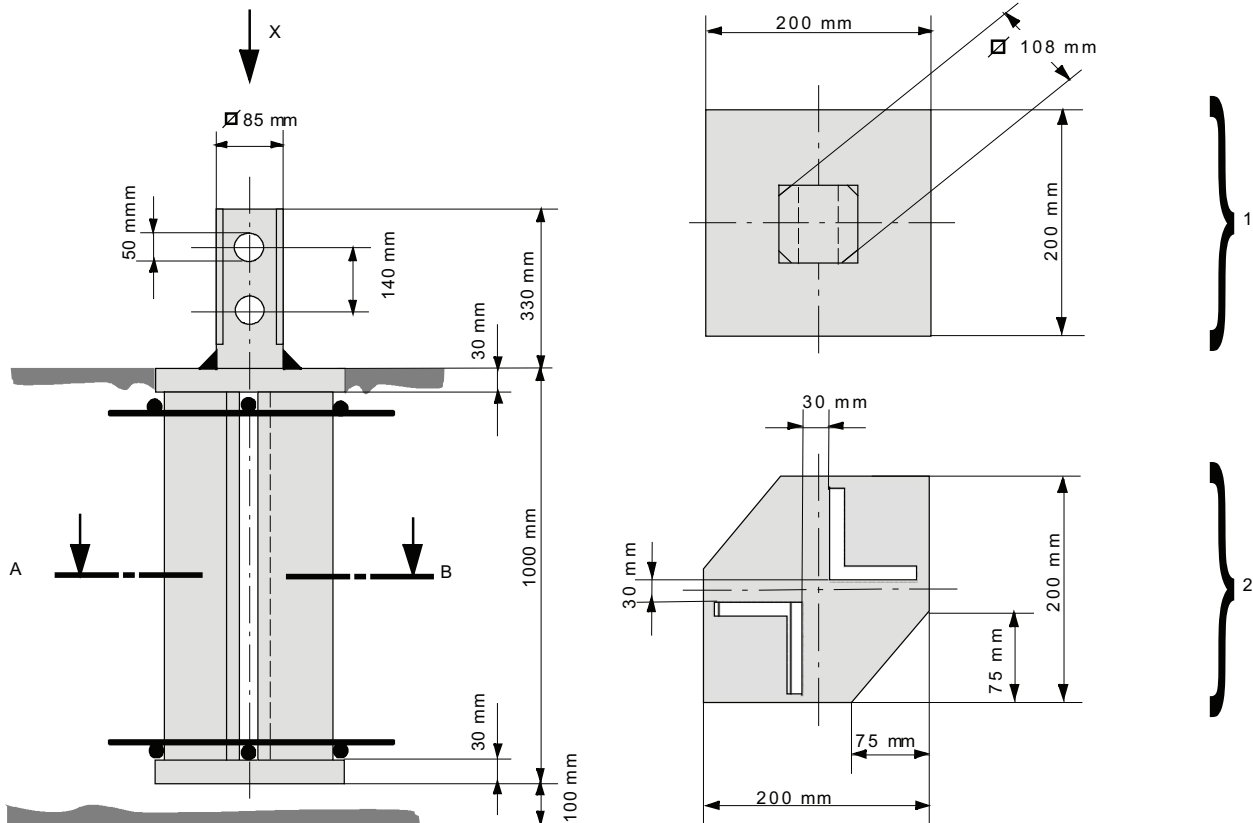
This section contains information on different foundation anchors.

1.1 FUA A

- Spigots, 85 mm
- Tower element

TSL 15	TSL 15.4
--------	----------

- Weight per item = 53 kg



1	View X
2	Section A-B

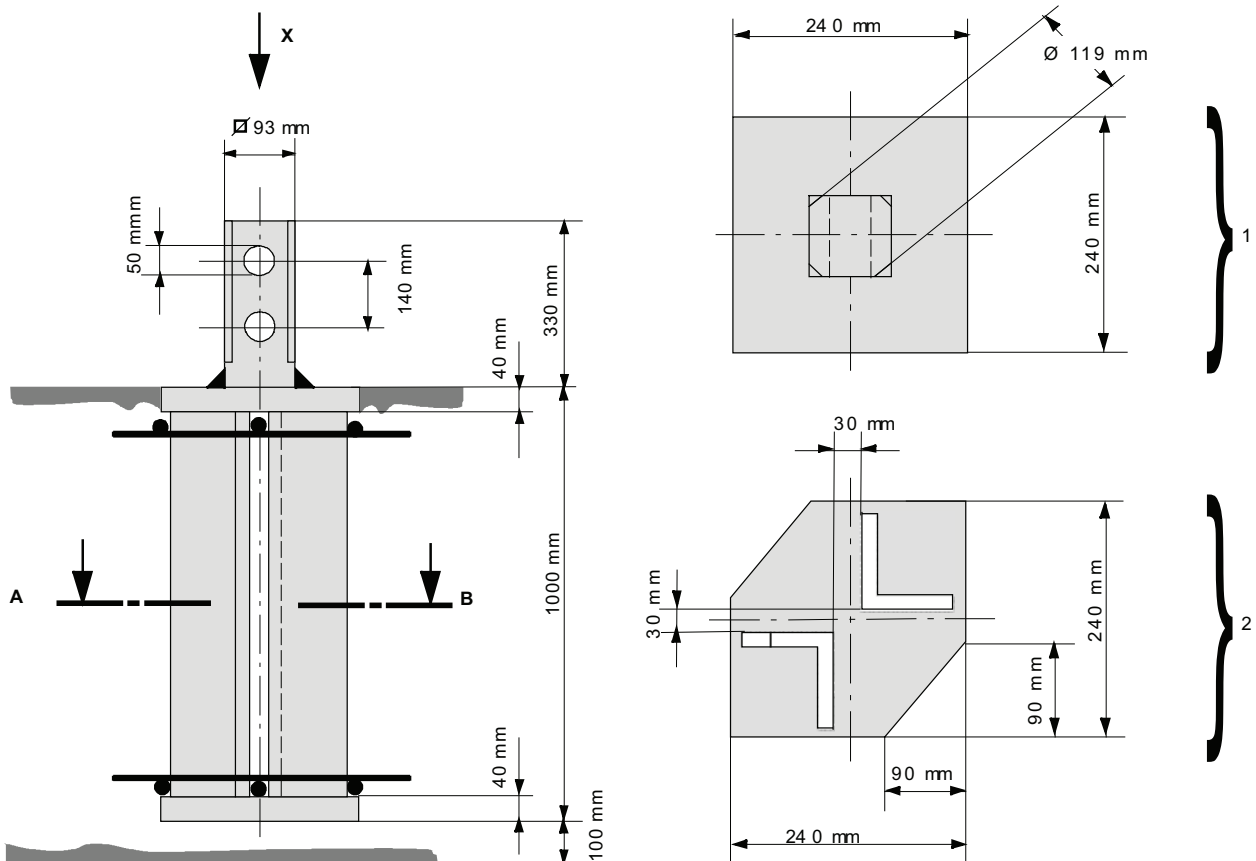
1.2 FUA B.4

Spigots, 93 mm

- Tower element

TFS 12	TFSÜ 12
TFSA 15	TFS 15.4
TFSA 15.4	TS 20
TS 15	TFS 20
TFS 15	TFS 20.4

- Weight per item = 87 kg



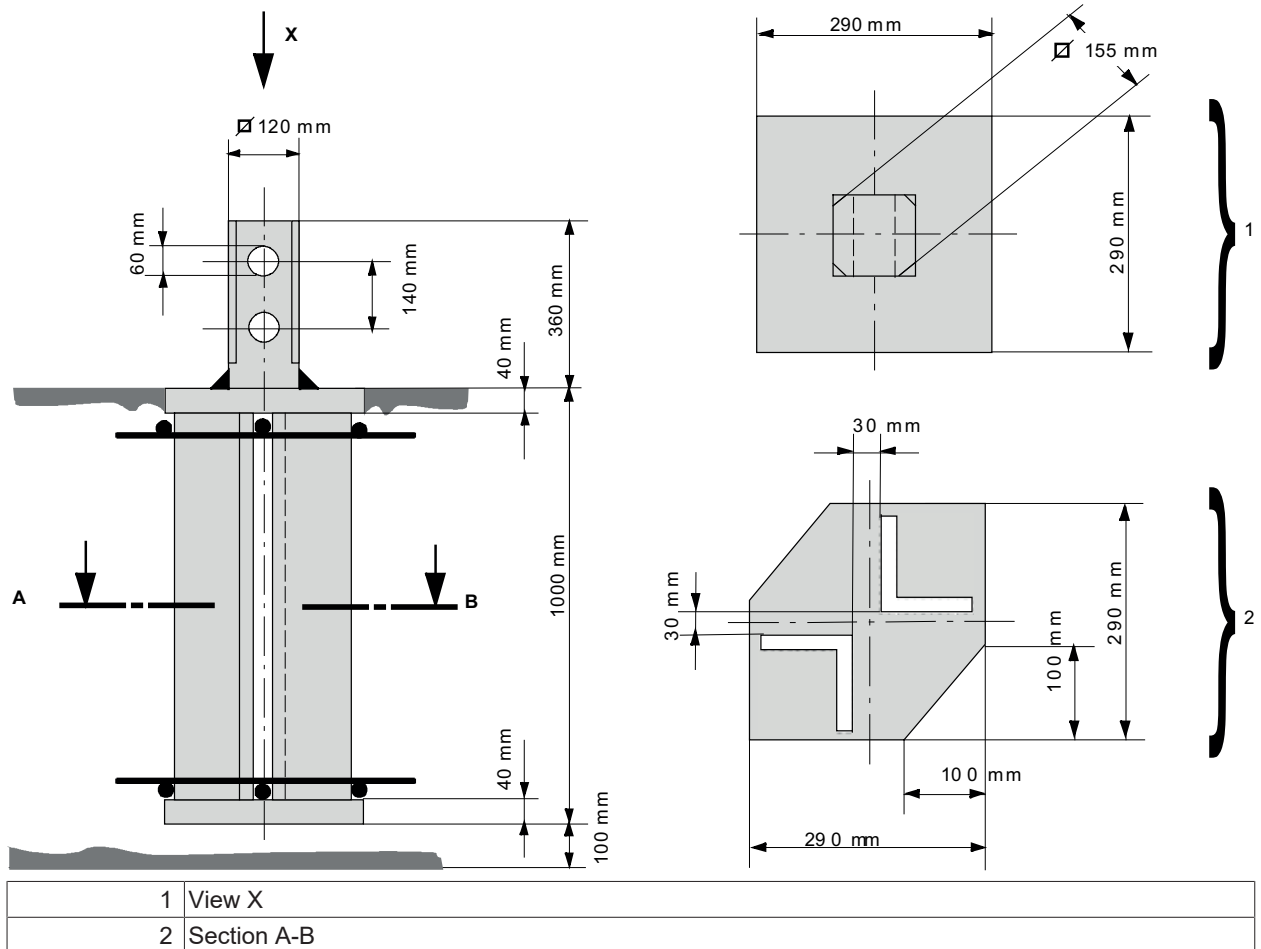
1	View X
2	Section A-B

1.3 FUA C

- Spigots, 120 mm
- Tower elements:

UT 15	UVÜ 15.4
UV 15	UT 20
UV 15.4	UV 20
UTA 15	UTA 20
UTÜ 15	UV 20.3
UVÜ 15	UV 20.4

- Weight per item = 124 kg

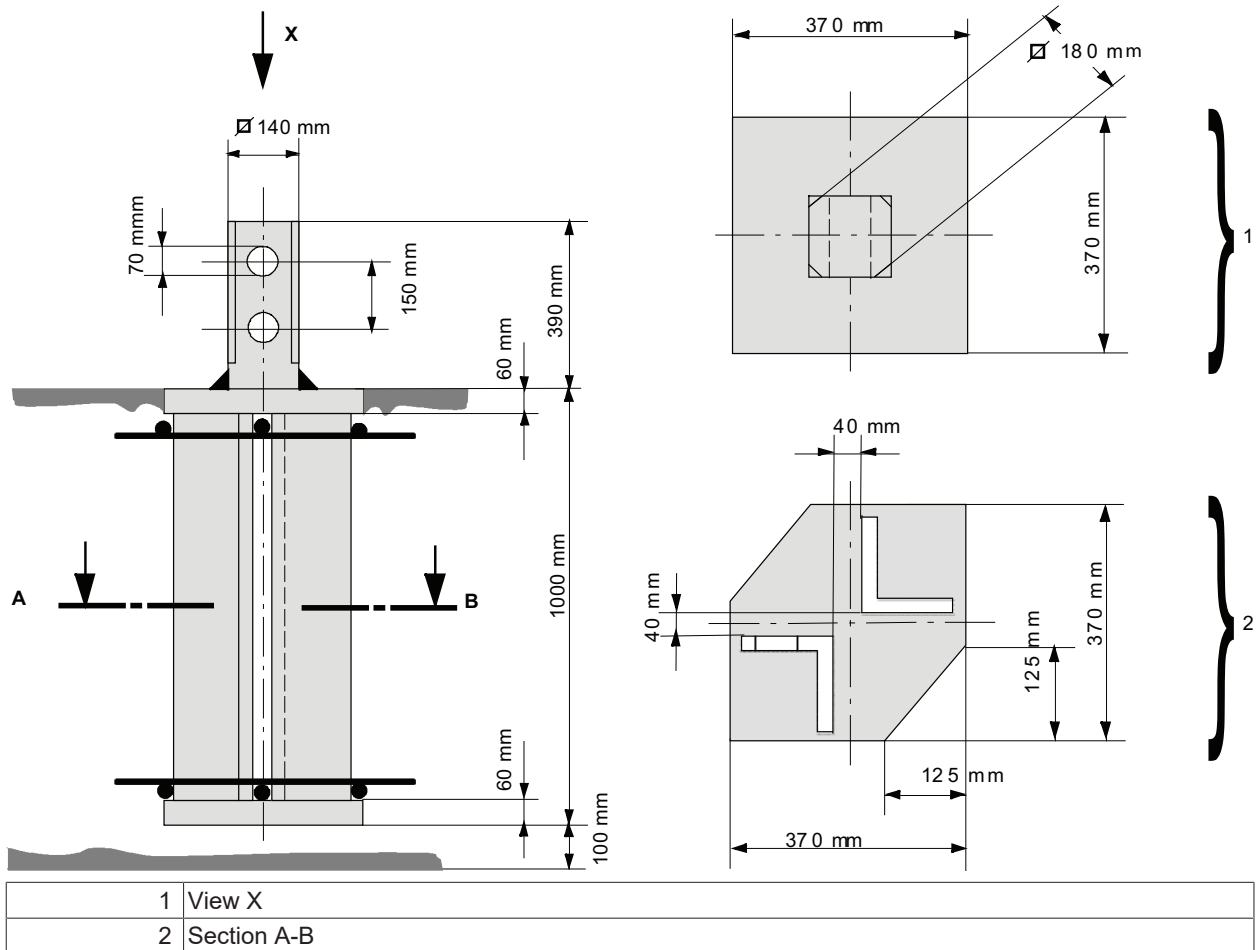


1.4 FUA D

- Spigots, 140 mm
- Tower element

TVA 20	TVA 20.3
TVÜ 20	TVA 20.4
TV 20	TV 20.4
TV 23	TV 25
TVÜ 20.4	TV 25.5

- Weight per item = 251 kg

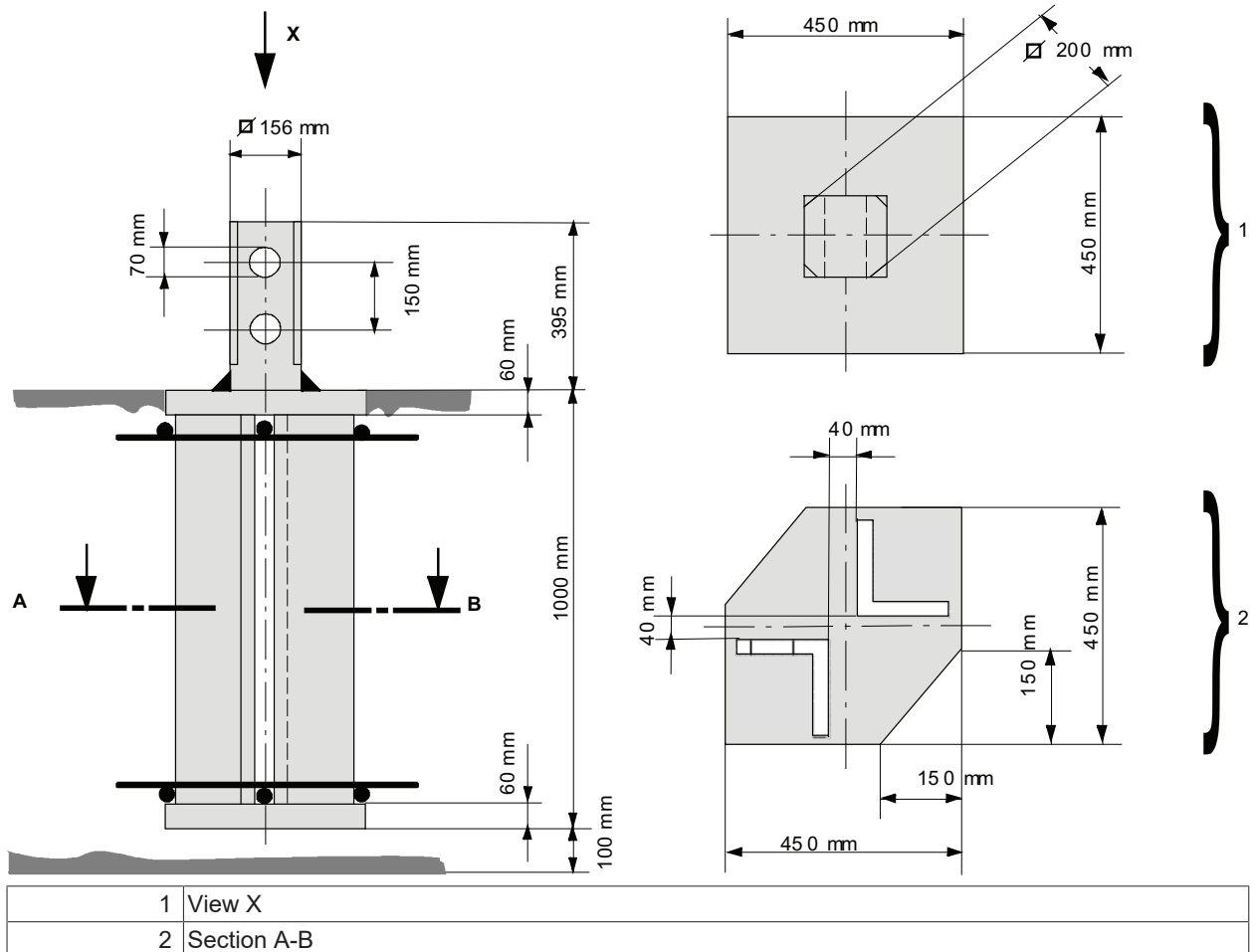


1.5 FUA F

- Spigots, 156 mm
- Tower element

UTA 25	UT 25
UVA 25	UV 25
UVA 25.5	

- Weight per item = 360 kg

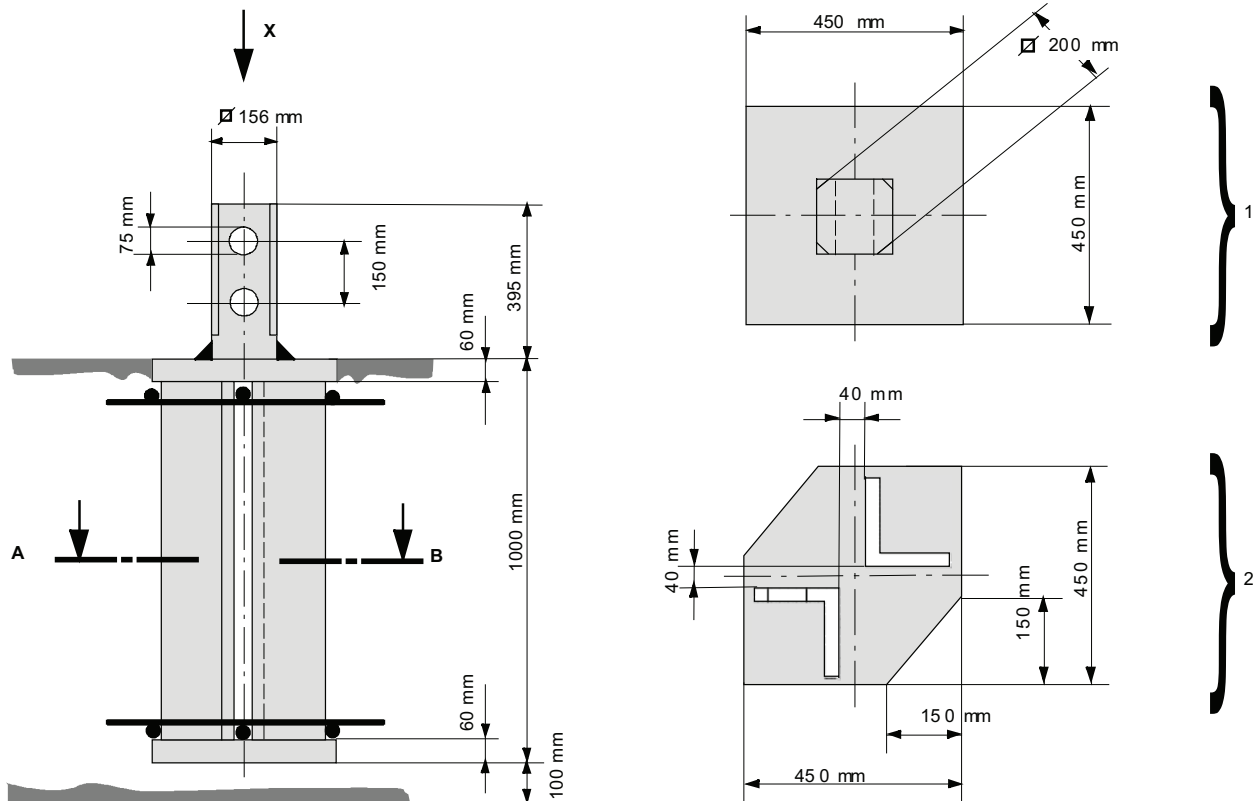


1.6 FUA F/S

- Spigots, 156 mm
- Tower element

UV 25 S

- Weight per item = 360 kg



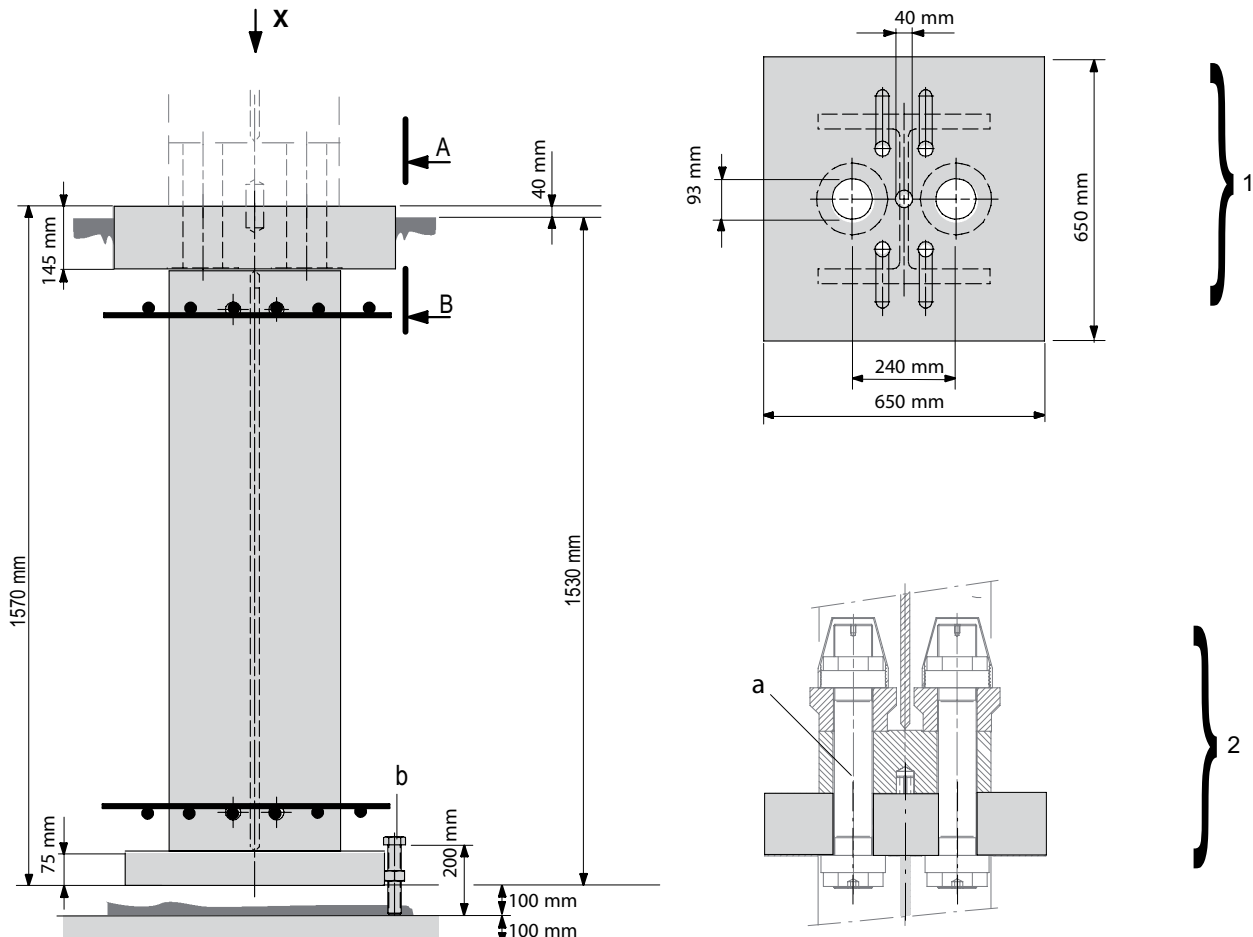
1	View X
2	Section A-B

1.7 FUA G 33-1500

- Tower element

TV 33.4	TV33.4 L
TV 33-5	TV 33-10

- Weight per item = 1060 kg



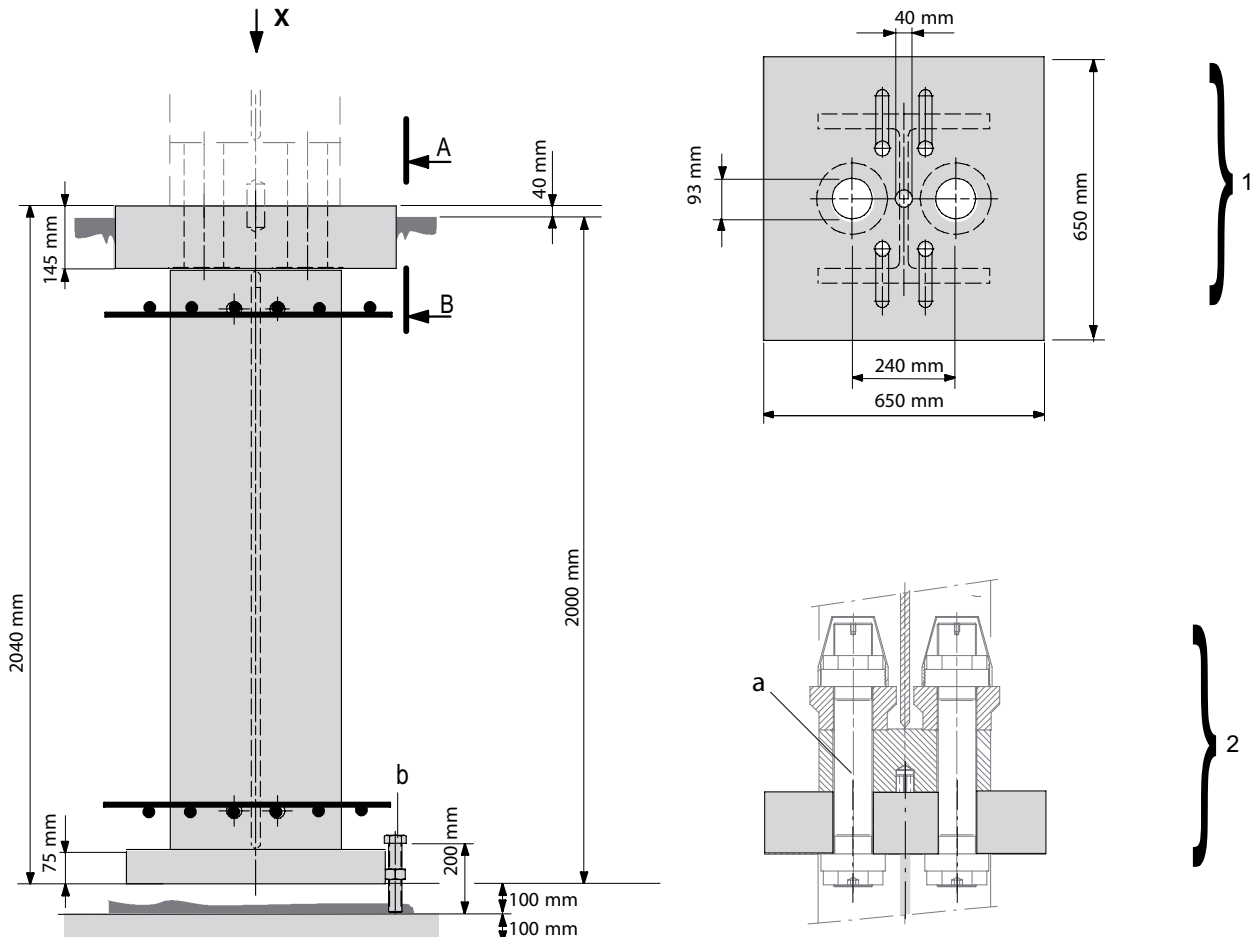
1	View X	2	Section A-B
a	Prestressing force M90 – 10.9 = 4000 kN	b	Setscrew M30 x 200-8.8 ISO 4017

1.8 FUA G 33-2000

- Tower element

TV 33.4	TV33.4 L
TV 33-5	TV 33-10

- Weight per item = 1165 kg



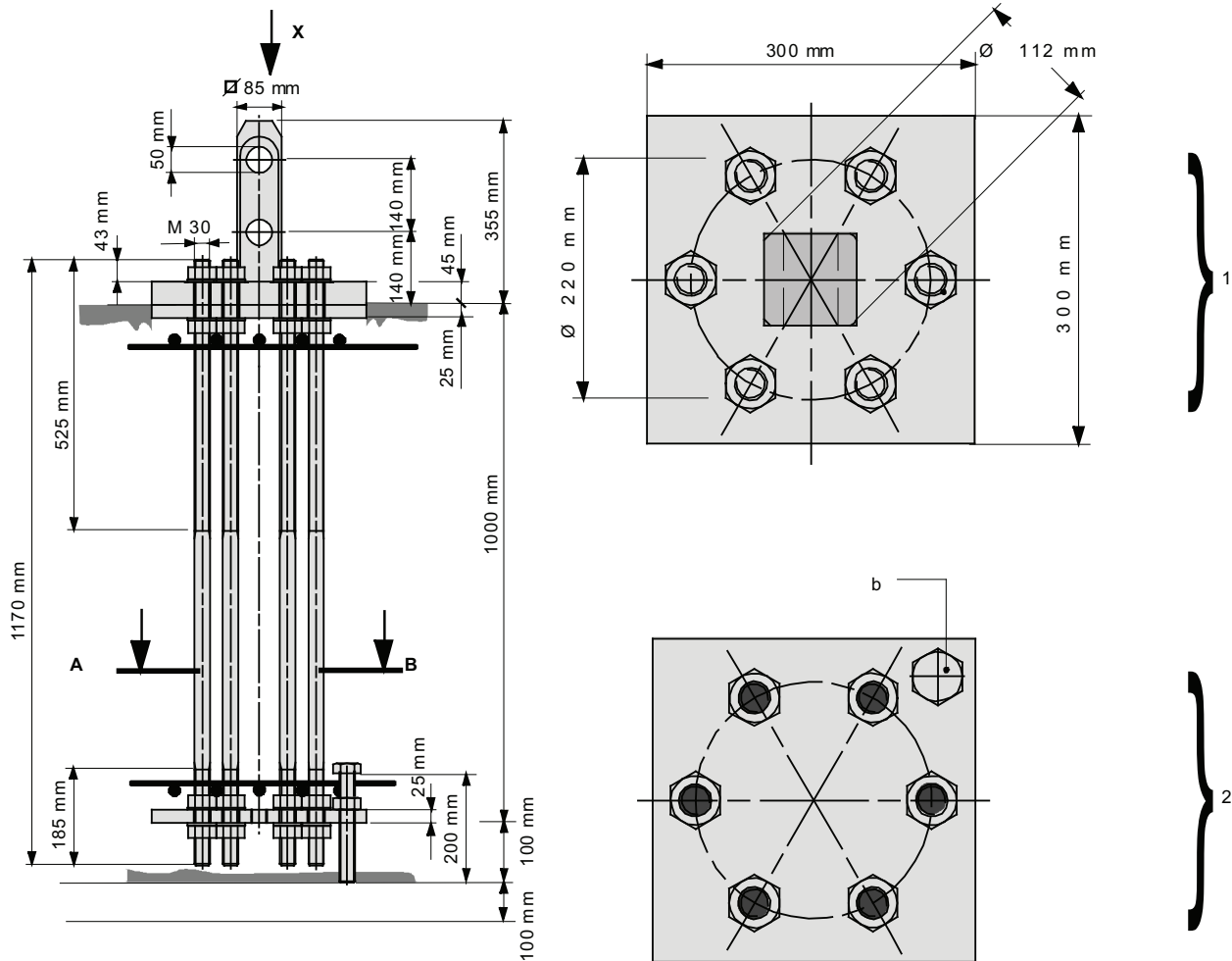
1	View X	2	Section A-B
a	Prestressing force M90 – 10.9 = 4000 kN	b	Setscrew M30 x 200-8.8 ISO 4017

1.9 FUA 85

- Spigots, 85 mm
- Tower element

TSL 15	TSL 15.4
--------	----------

- Weight per item = 134 kg



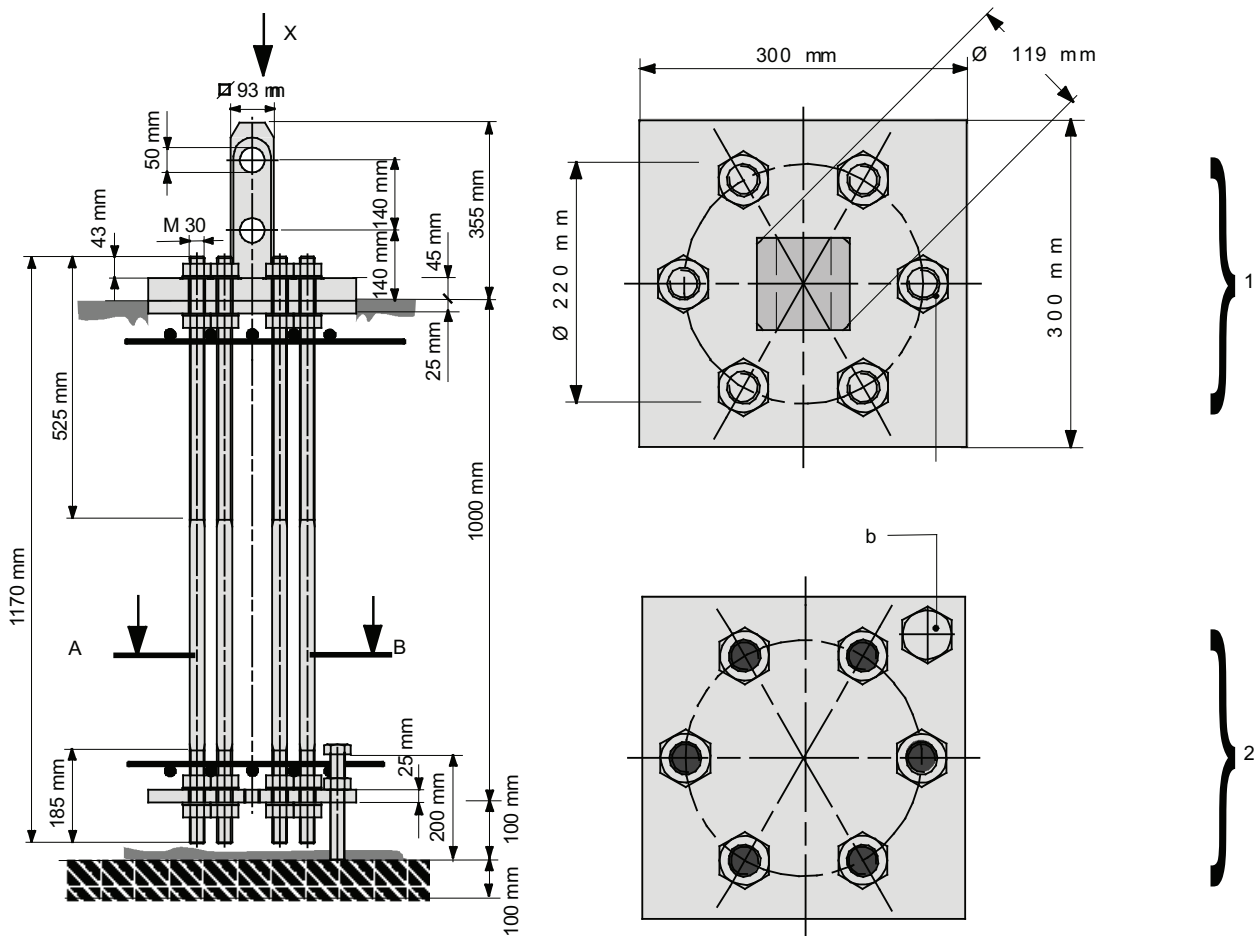
1	View X	2	Section A-B
a	Tightening torque M30 - 10.9 = 1650 Nm MoS ₂	b	Setscrew M30 x 200- 8.8

1.10 FUA 93

- Spigots, 93 mm
- Tower element

TFS 12	TFSÜ 12
TFSA 15	TFS 15.4
TFSA 15.4	TS 20
TS 15	TFS 20
TFS 15	TFS 20.4

- Weight per item = 137 kg



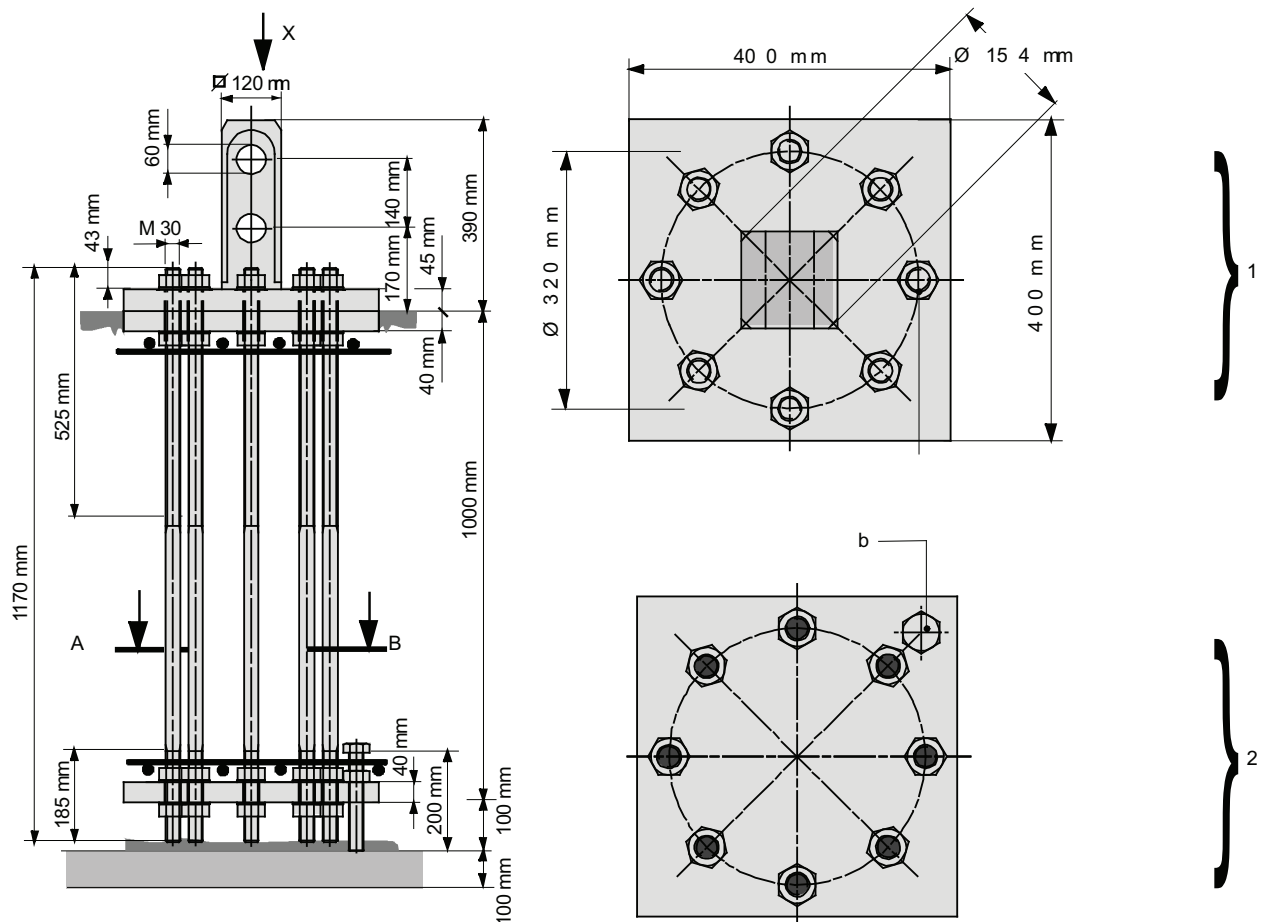
1	View X	2	Section A-B
a	Tightening torque M30 - 10.9 = 1650 Nm MoS ₂	b	Setscrew M30 x 200- 8.8

1.11 FUA 120

- Spigots, 120 mm
- Tower element

UV 15	UVA 15.4
UV 15.4	UV 20
UVA 15	UV 20.4

- Weight per item = 257 kg



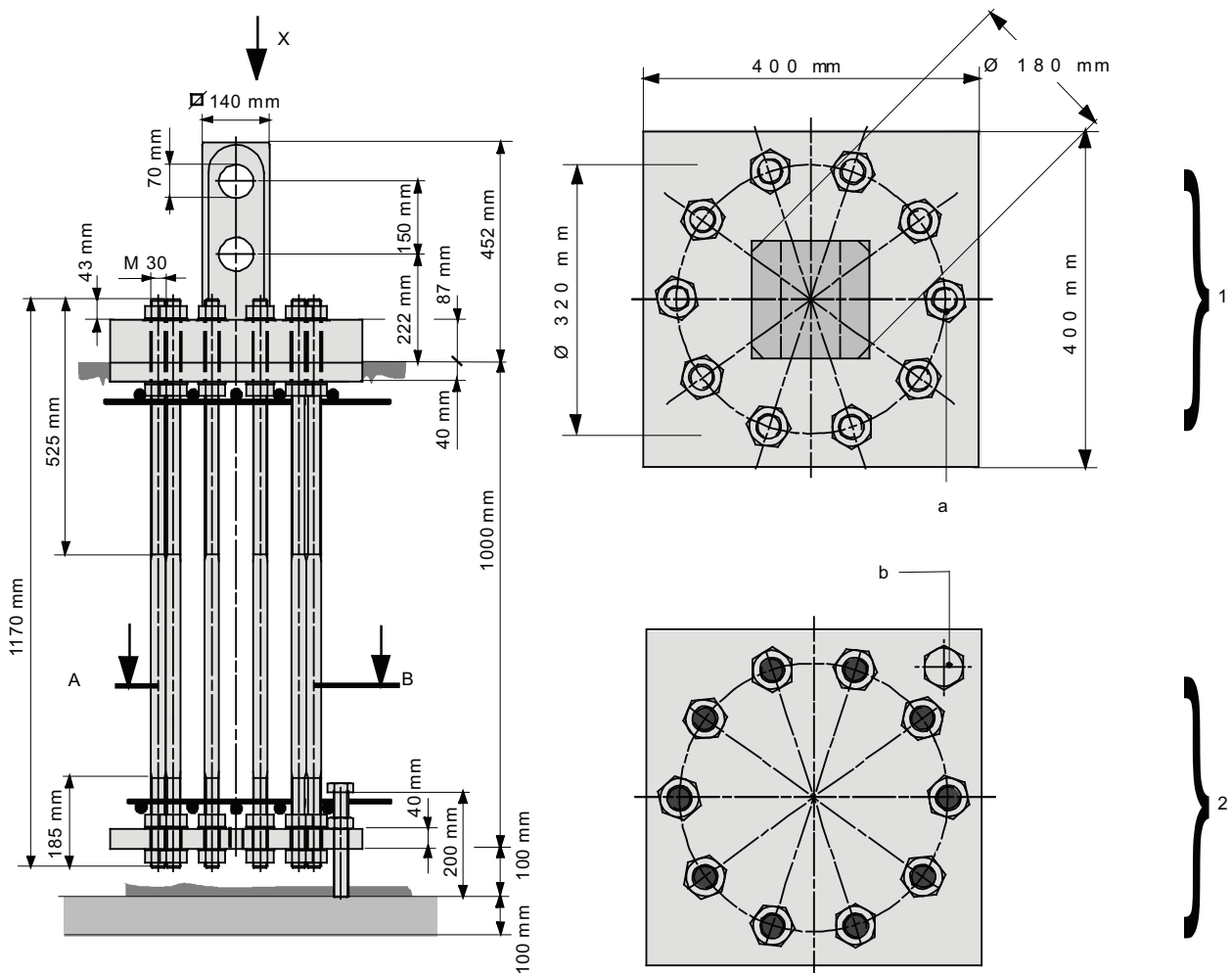
1	View X	2	Section A-B
a	Tightening torque M30-10.9 = 1650 Nm MoS ₂	b	Setscrew M30 x 200- 8.8

1.12 FUA 140

- Spigots, 140 mm
- Tower element

TV 20.4	TV 23
TV 25	TV 25.5

- Weight per item = 337 kg



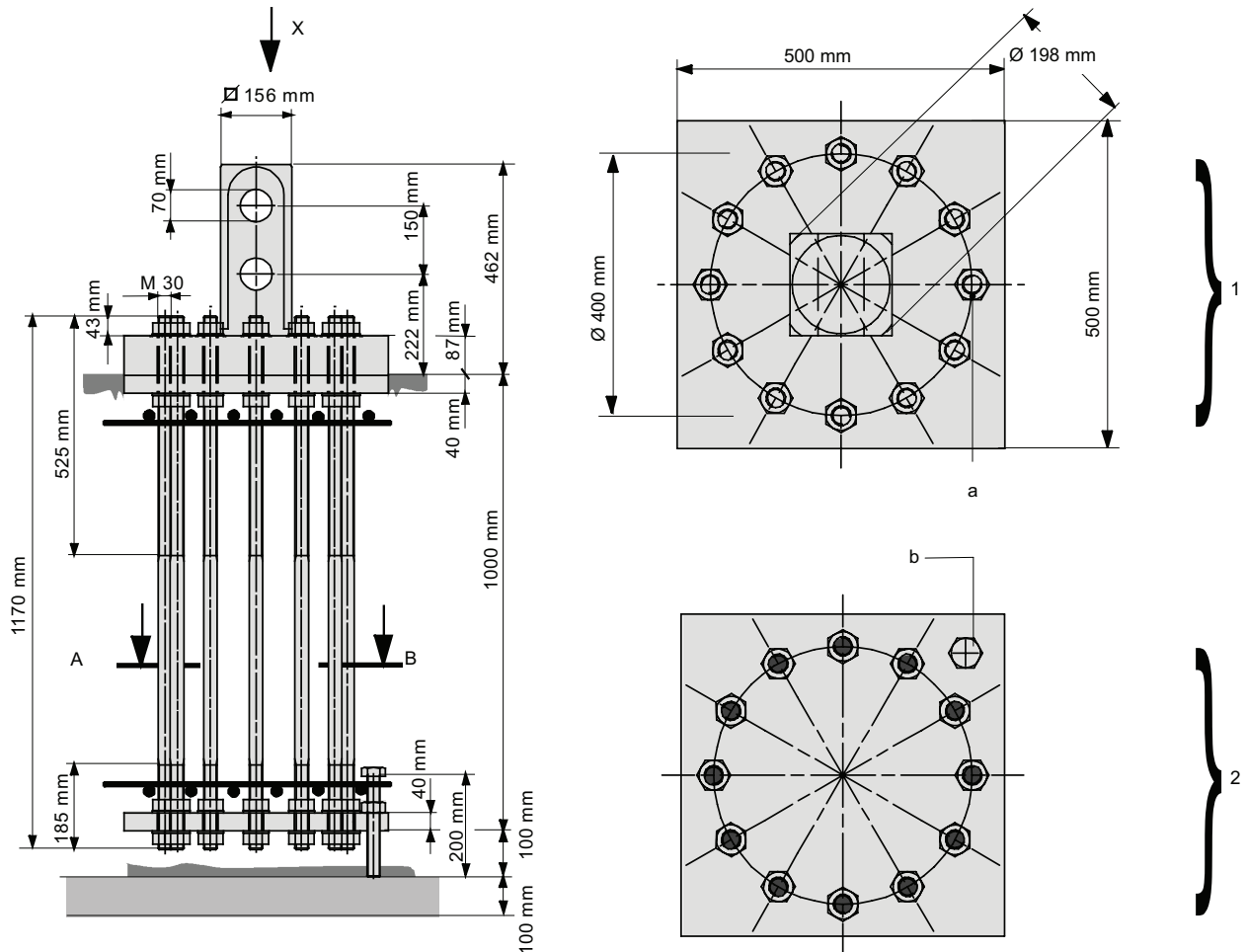
1 View X	2 Section A-B
a Tightening torque M30 - 10.9 = 1650 Nm MoS ₂	b Setscrew M30 x 200- 8.8

1.13 FUA 156

- Spigots, 156 mm
- Tower element

UV 25	UVA 25.5
UVA 25	

- Weight per item = 485 kg



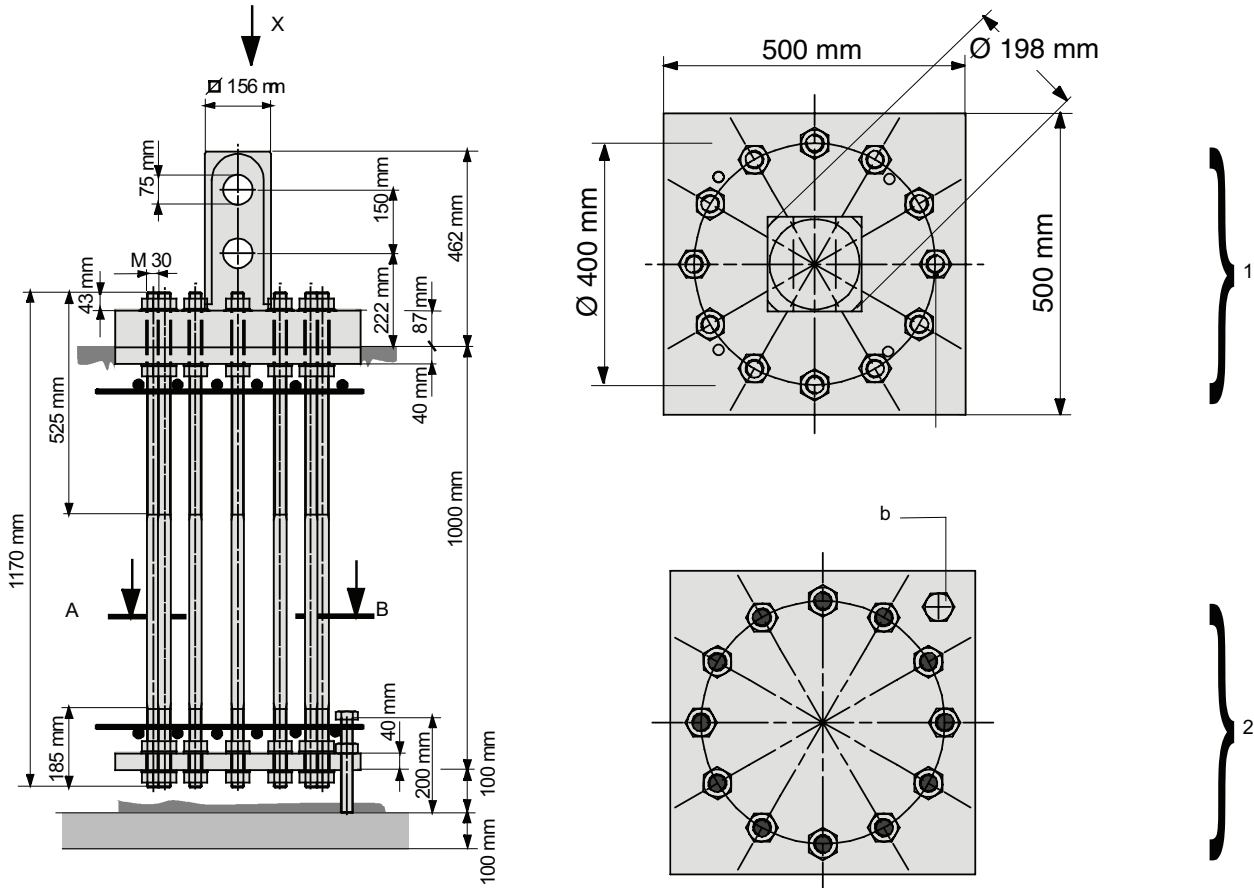
1 View X	2 Section A-B
a Tightening torque M30 - 10.9 = 1650 Nm MoS ₂	b Setscrew M30 x 200- 8.8

1.14 FUA 156 S

- Spigots, 156 mm
- Tower element

UV 25 S

- Weight per item = 481 kg



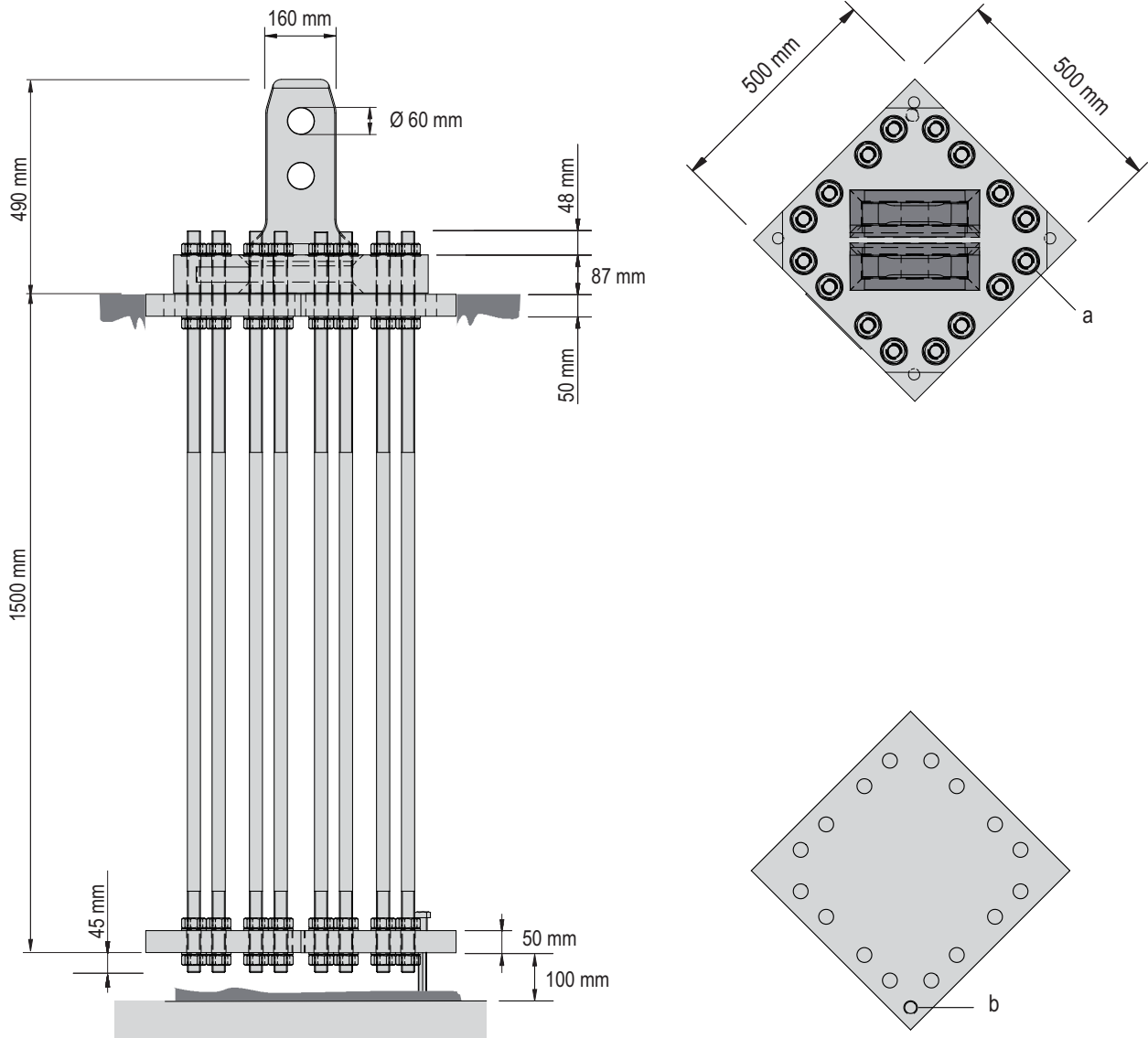
1	View X	2	Section A-B
a	Tightening torque M30 - 10.9 = 1650 Nm MoS ₂	b	Setscrew M30 x 200- 8.8

1.15 FUA G 160

- Tower element

HT 23	HTA 23
-------	--------

- Weight per item = 564 kg



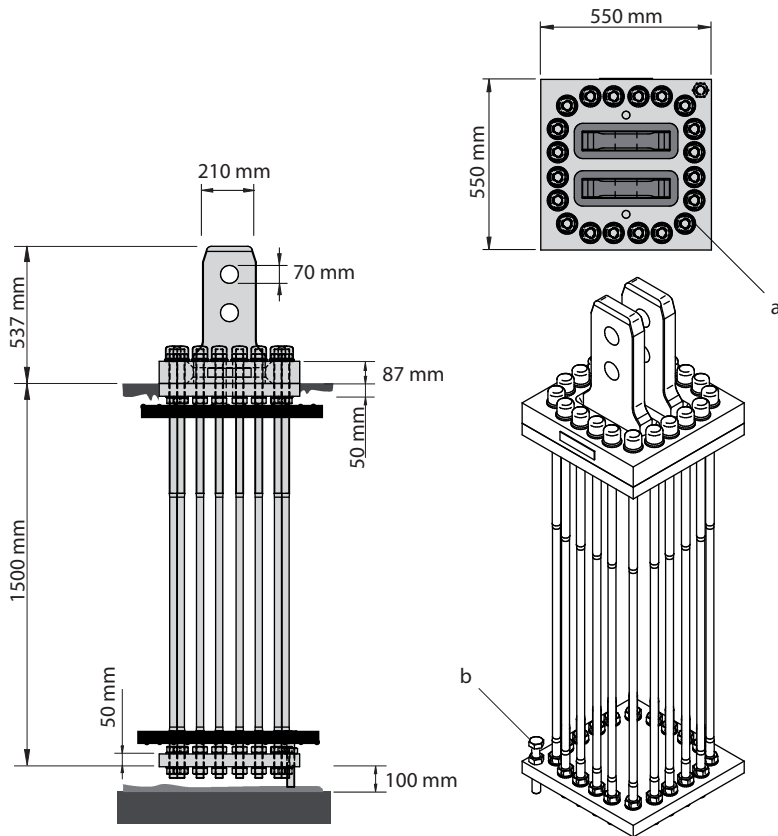
a	Tightening torque M30 - 10.9 = 1650 Nm MoS ₂	b	Setscrew M30 x 200- 8.8
---	---	---	-------------------------

1.16 FUA G 210

- Tower element
- inner climbing device

BT 23	KSH 23 / KSH E 23
TV 29	

- Weight per item = 705 kg



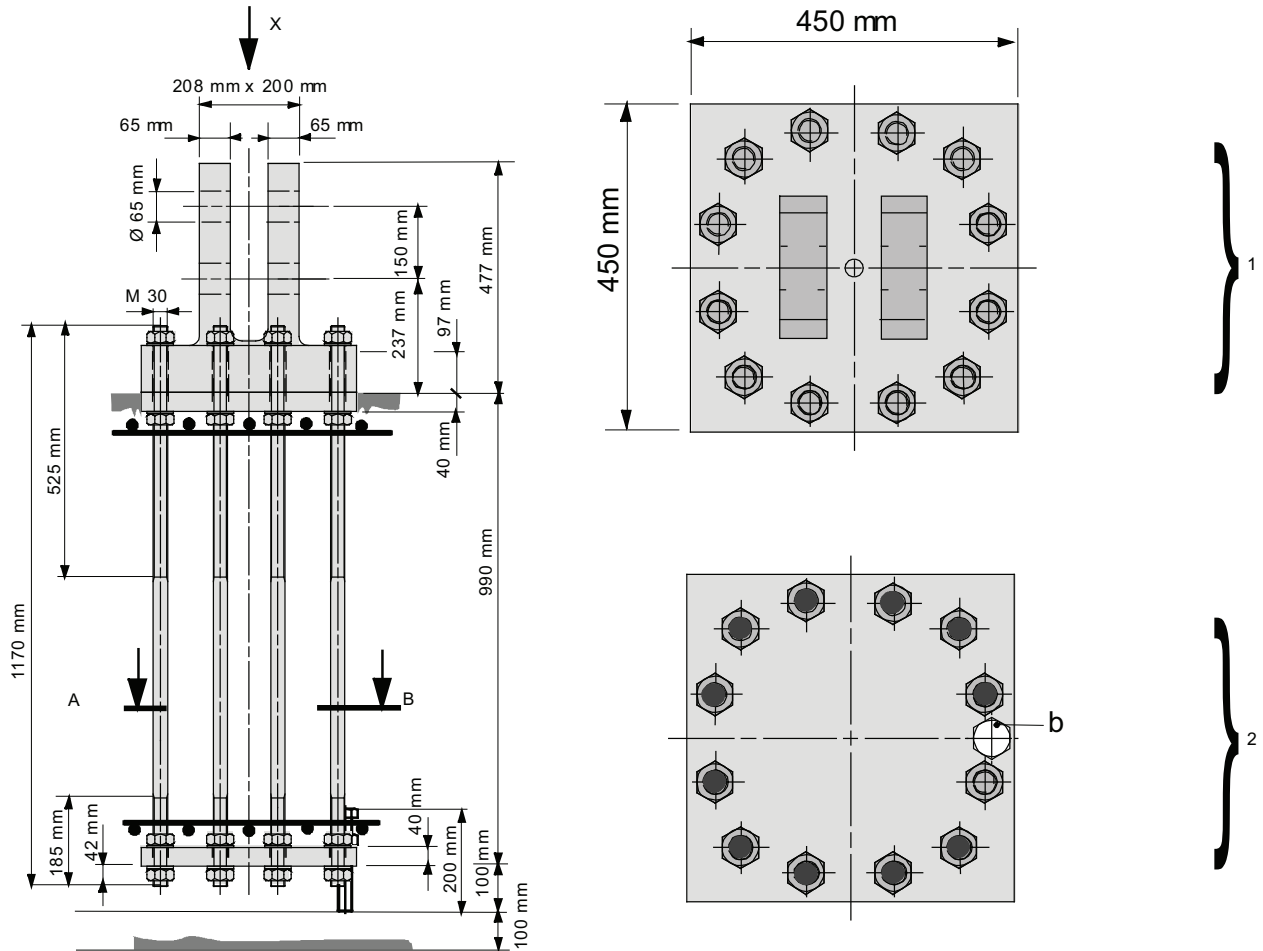
a	Tightening torque M30 - 10.9 = 1650 Nm MoS ₂	b	Setscrew M30 x 200- 8.8
---	---	---	-------------------------

1.17 FUA UV 29

- Tower element

UV 29

- Weight per item = 452 kg



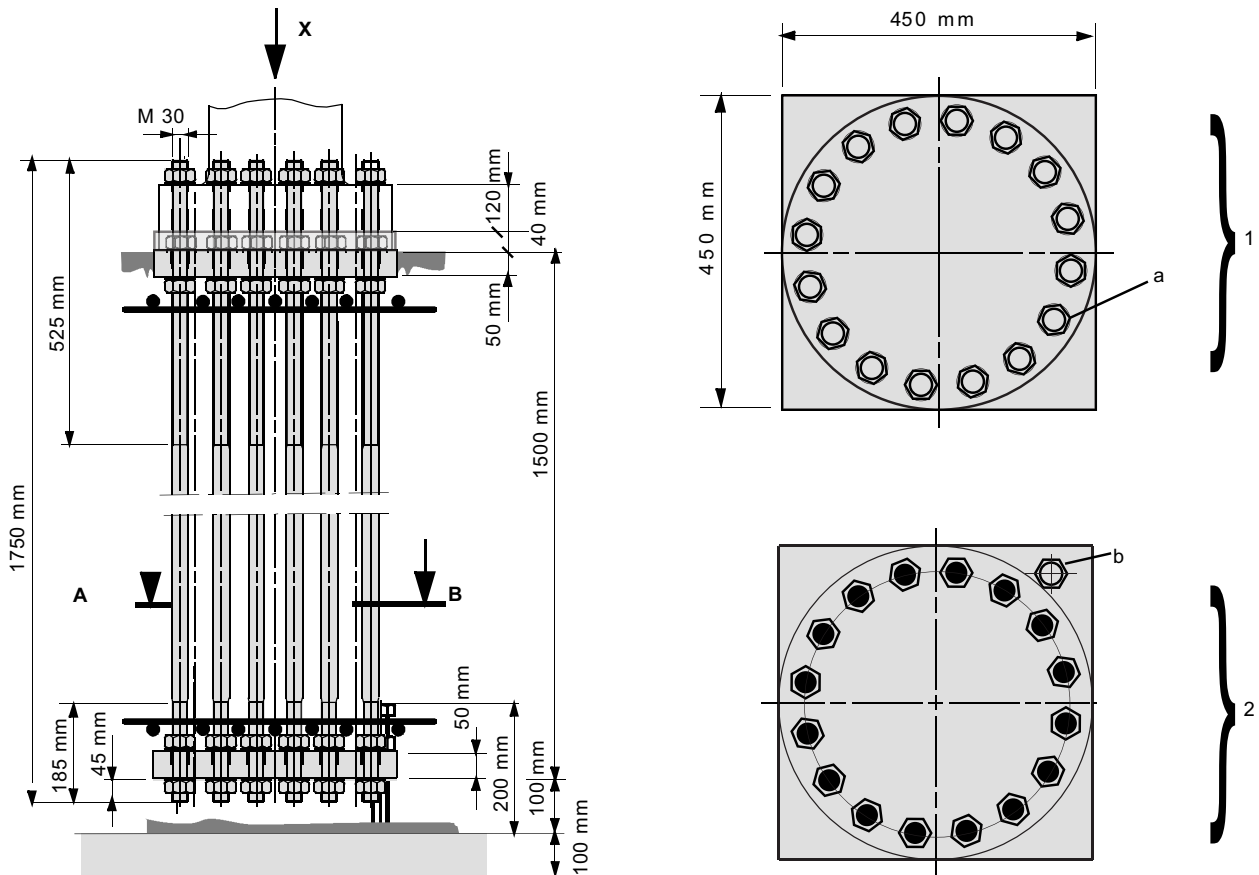
1	View X	2	Section A-B
a	Tightening torque M30 - 10.9 = 1650 Nm MoS ₂	b	Setscrew M30 x 200 -8.8

1.18 FUA BT 29

- Tower element

BT 29

- Weight per item = 327 kg



1 View X	2 Section A-B
a Tightening torque M30 - 10.9 = 1650 Nm MoS ₂	b Setscrew M30 x 200- 8.8

This page was intentionally left blank!

WOLFFKRAN Group

Headquarter international:

WOLFFKRAN AG

Baarermattstraße 6

CH-6300 Zug

Switzerland

Phone +41 41 766 85 00

Fax +41 41 766 85 99

info@wolffkran.com

Manufacturing:

WOLFFKRAN GmbH

Austraße 72

D-74076 Heilbronn

Germany

Phone + 49 7131 9815 0

Fax + 49 7131 9815 355

info@wolffkran.de

WOLFFKRAN Werk Brandenburg GmbH

Frederik-Ipsen-Straße 5

D-15926 Luckau OT Alverno

Germany

Phone + 49 35456 674 0

Fax + 49 35456 674 200

info@wolffkran.de